



GLUE-INVEST SP. Z O.O.
COMPANY WITH A LONG TRADITION



CATALOG



Our most famous products „Super Glue original with star only” is an adhesive that we have been producing since 1996. For over 25 years, our most important goal has been to provide you with effective solutions for joining together different materials, such as paper, leather, metal or plastic. Our adhesives are suitable for use both in households and in industrial production.

Thanks to the production located here in Poland, we are able to ensure not only the highest quality but also their safety in using our products. All adhesives we produce undergo strict quality and safety tests. Their effectiveness has been confirmed by tests carried out by independent chemical laboratories. Detailed parameters of each product are available in the form of a safety data sheet.

Dynamically growing sales mean that our products reach almost everywhere: large cities, smaller towns and villages. We owe such a large participation in the adhesives market to an effective sales strategy based on our regional distributors.

Partnership, mutual respect, loyalty and high quality of products are the pillars of our long-term relationships with customers.

We are also pleased to announce that in June 2023, our company obtained a Quality Management System Certificate consistent with the requirements of the ISO 9001:2015 standard in the field of production and distribution of adhesives. Obtaining it confirms the compliance of our services with the international standard specifying quality management requirements.



ISO 9001

LL-C (Certification)

Nasze kleje:

- Super Glue palette 12' 2-3 str.
- Super Glue single 4-5 str.
- Super Glue help! 6-7 str.
- Super Fix PE palette 12' 8-9 str.
- Super Fix PS palette 12' 10-11 str.
- Super Fix PE single 12-13 str.
- Super Fix PS single 14-15 str.
- Epoxil Mix 16-17 str.
- Epoxil Mix Transparent 18-19 str.
- Epoxilina Mix 20-21 str.
- Total Butaprem 22-23 str.
- Total Vikol 24-25 str.
- Top Gum palette 12' 26-27 str.
- Top Gum 3 patches 28-29 str.
- Office white glue - non toxic 30-31 str.
- Gwint Glue 32-33 str.



SUPER GLUE®

„Original with star only”

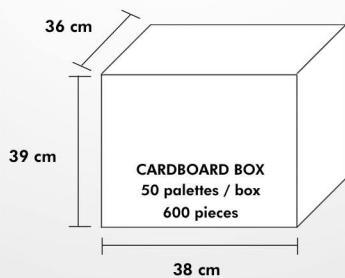
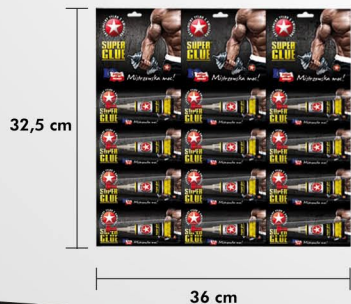
Super Glue® is a strong adhesive for plastic, metal, wood, rubber, leather, glass, porcelain and paper. Indispensable in every home, office and factory. Complete gluing occurs within 5-20 seconds. In this respect, Super Glue® is the leader among adhesives available on the market.

Thanks to Super Glue® you can repair broken toys, glue glasses and a broken vase with become a decoration again. Our glue is perfect for the automotive industry, where you can repair damaged elements quickly and efficiently.

Packing method:

- 12 pieces per palette
- 50 palettes in a box (600 pieces)
- 18000 pieces on Euro pallet (30 boxes)

Weight: 1 piece - 2 grams
expiration date: 24 months
tube: aluminum



glues even broken hearts together



SUPER GLUE® „Original with star only”

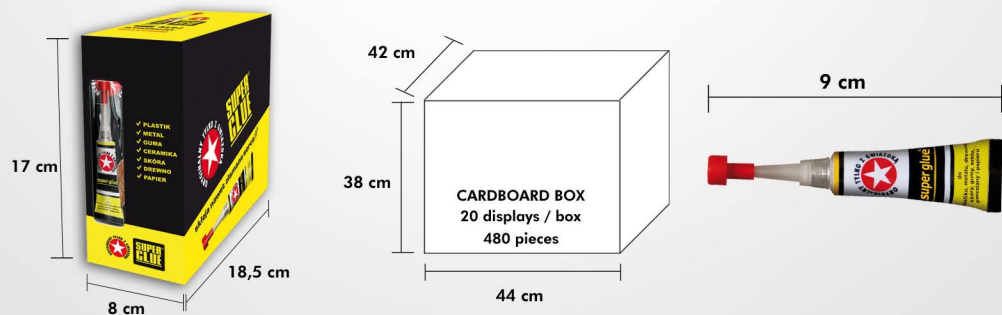
Super Glue® is a strong adhesive for plastic, metal, wood, rubber, leather, glass, porcelain and paper. Indispensable in every home, office and factory. Complete gluing occurs within 5-20 seconds. In this respect, Super Glue® is the leader among adhesives available on the market.

Thanks to Super Glue® you can repair broken toys, glue glasses and a broken vase with become a decoration again. Our glue is perfect for the automotive industry, where you can repair damaged elements quickly and efficiently.

Packing method:

- 24 pieces in a display
- 20 displays in a box (480 pieces)
- 11520 pieces on Euro pallet (24 boxes)

Weight: 1 piece - 2 grams
expiration date: 24 months
tube: aluminum



glues even broken hearts together



SUPER GLUE® help!

„Original with star only”

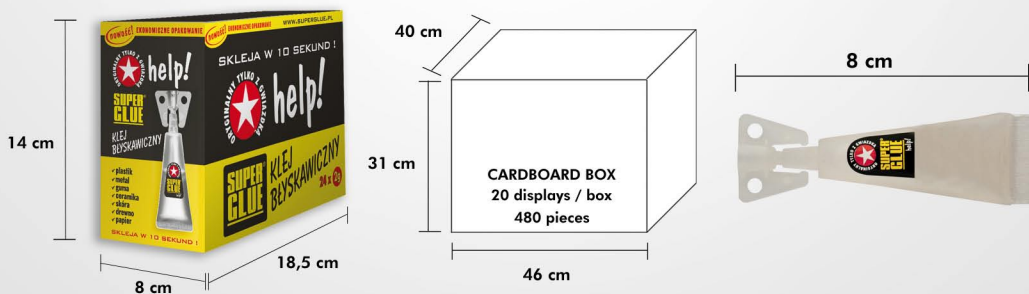
Super Glue® help! is a strong adhesive for plastic, metal, wood, rubber, leather, glass, porcelain and paper. Indispensable in every home, office and factory. Complete gluing occurs within 5-20 seconds. In this respect, Super Glue® help! is the leader among adhesives available on the market.

Thanks to Super Glue® help! you can repair broken toys, glue glasses and a broken vase with become a decoration again. Our glue is perfect for the automotive industry, where you can repair damaged elements quickly and efficiently.

Packing method:

- 24 pieces in a display
- 20 displays in a box (480 pieces)
- 11520 pieces on Euro pallet (24 boxes)

Weight: 1 piece - 2 grams
 expiration date: 24 months
 tube: plastic



glues even broken hearts together



SUPER FIX PE PALETTE FOR FLEXIBLE CONNECTIONS

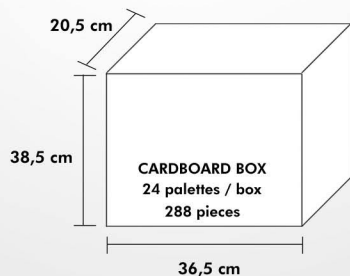
Super Fix PE is specialized adhesive created for flexible connections. Years of research have led us to create ideal binders for appropriate materials.

Super Fix PE glue is characterized by rapid bonding of rubbers, plastics and metal. Creates a strong and flexible connection.

Packaging method:

- 12 pieces per palette
- 24 palettes in a box (288 pieces)
- 11520 pieces on Euro pallet (40 boxes)

Weight: 1 piece - 2 grams
expiration date: 24 months
tube: aluminum



**specialised
in flexible
bonding**

SUPER FIX PS CYJANOAKRYLOWY

SUPER FIX PS PALETTE FOR RIGID CONNECTIONS

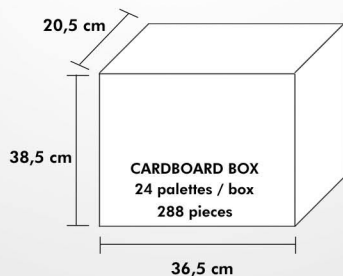
Super Fix PS is specialized adhesive created for rigid connections. Years of research have led us to create ideal binders for appropriate materials.

Super Fix PS glue is indicated for rigid joints. You can easily glue metal, glass, porcelain and some types of wood.

Packaging method:

- 12 pieces per palette
- 24 palettes in a box (288 pieces)
- 11520 pieces on Euro pallet (40 boxes)

Weight: 1 piece - 2 grams
expiration date: 24 months
tube: aluminum



**specialised
in rigid
bonding**





SUPER FIX PE SINGLE

FOR FLEXIBLE CONNECTIONS

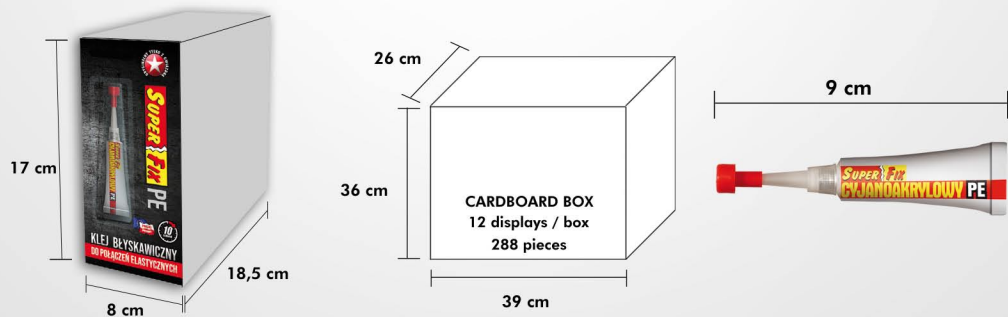
Super Fix PE is specialized adhesive created for flexible connections. Years of research have led us to create ideal binders for appropriate materials.

Super Fix PE glue is characterized by rapid bonding of rubbers, plastics and metal. Creates a strong and flexible connection.

Packaging method:

- 24 pieces in a display
- 12 displays in a box (288 pieces)
- 11520 pieces on Euro pallet (40 boxes)

Weight: 1 piece - 2 grams
 expiration date: 24 months
 tube: aluminum



**specialised
 in flexible
 bonding**



SUPER FIX PS SINGLE

FOR RIGID CONNECTIONS

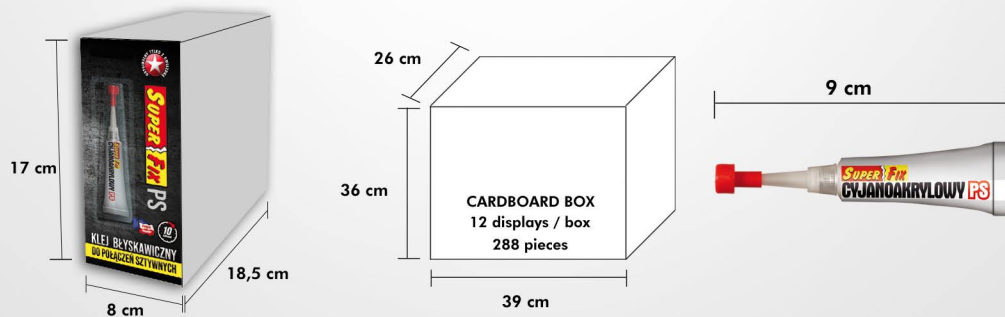
Super Fix PS is specialized adhesive created for rigid connections. Years of research have led us to create ideal binders for appropriate materials.

Super Fix PS glue is indicated for rigid joints. You can easily glue metal, glass, porcelain and some types of wood.

Packaging method:

- 24 pieces in a display
- 12 displays in a box (288 pieces)
- 11520 pieces on Euro pallet (40 boxes)

Weight: 1 piece - 2 grams
 expiration date: 24 months
 tube: aluminum



**specialised
 in rigid
 bonding**





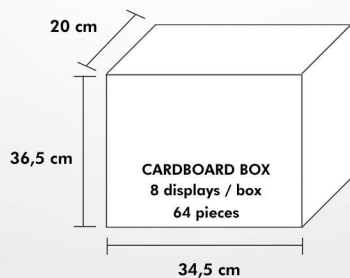
EPOXIL MIX

Epoxil Mix is a two-component binder for strong bonding with universal use. Effectively bonds wood, faience, porcelain, marble, stone, concrete, metal, glass, fiberglass, crystal, cardboard, cork, felt, hard PVC, ABS, polycarbonate and polyamide. Glue squeezed out of two tubes to be mixed.

Packaging method:

- 8 blisters in display
- 8 displays in a box (64 pieces)
- 3072 pieces on Euro pallet (48 boxes)

capacity: piece - 2 x 6 ml
 expiration date: 5 years
 tube: aluminum



cold welding



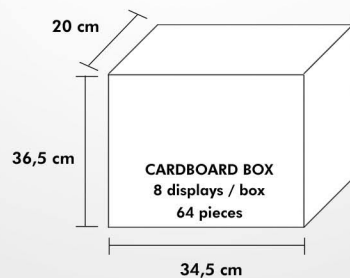
EPOXIL MIX TRANSPARENT

Epoxil Mix Transparent is a two-component transparent binder for strong bonding with universal use. Effectively bonds wood, faience, porcelain, marble, stone, concrete, metal, glass, fiberglass, crystal, cardboard, cork, felt, hard PVC, ABS, polycarbonate and polyamide to form a transparent bond. Glue squeezed out of two tubes to be mixed.

Packaging method:

- 8 blisters in display
- 8 displays in a box (64 pieces)
- 3072 pieces on Euro pallet (48 boxes)

weight: 1 piece - 2 x 6 ml
expiration date: 5 years
tube: aluminum



cold welding



EPOXILINA MIX

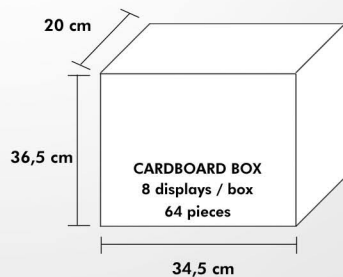
Epoxilina Mix is a mass of strong sealing and filling of damaged surfaces. Effectively seals and fills gaps in wood, faience, porcelain, marble, stone, concreto, metal, glass, fiberglass, crystal, cork, hard PVC, ABS, polycarbonates and polyimides. Irreplaceable in the garden, home, car or work.

Epoxilina mix consists of two components which when mixed create a hard and very strong joint.

Packaging method:

- 8 blisters in display
- 8 displays in a box (64 pieces)
- 3072 pieces on Euro pallet (48 boxes)

weight: 1 piece - 2 x 15 gramów
expiration date: 5 years



home plumber



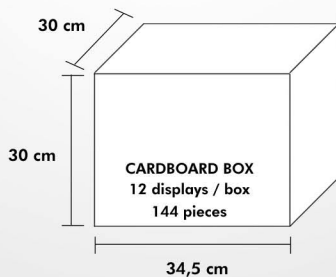
TOTAL BUTAPREM

Universal waterproof glue. Perfectly glues rubber, natural and artificial leather, PP and PE fabrics, felt and various combinations of the above mentioned materials. Great glue for repairing all types of shoes and leather goods. The best temperature for working with glue is between 5°C and 30°C. The joint hardens completely after 24 hours.

Packaging method:

- 12 pieces in a display
- 12 displays in a box (144 pieces)
- 32 boxes on Euro pallet (4608 pieces)

weight: 35 grams
expiration date: 12 months
tube: aluminum



**waterproof
irreplaceable
for shoes**



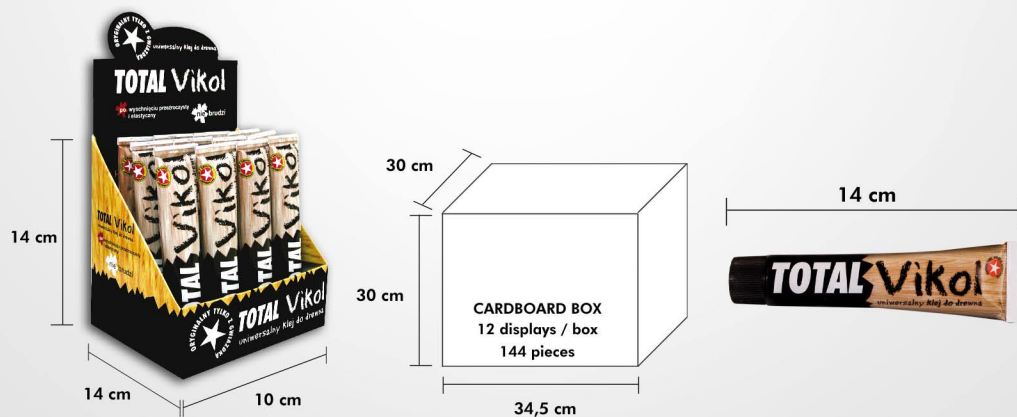
TOTAL VIKOL

Perfectly glues wood, plywood, fabrics and cork. Indispensable when working with wood, when assembling furniture at home and in the office. Perfect for wooden modeling. Total Vikol is a water-soluble adhesive. The joint is white and very strong. Complete gluing occurs after 24 hours. The best temperature for working with glue is between 5°C and 25°C. Suitable for manual and machine gluing. No carpenter will be ashamed of it.

Packaging method:

- 12 pieces in a display
- 12 displays in a box (144 pieces)
- 32 boxes on Euro pallet (4608 pieces)

weight: 40 grams
expiration date: 15 months
tube: aluminum



liquid nail



TOP GUM®

Glue with a vulcanization patch for repairing inner tubes and other rubber products (mattresses, balls, swimming pools). Effectively patches holes using cold gluing technology. Guaranteed repair in a short time. Indispensable on bicycle trips, at swimming pools while playing with rubber balls, and for patching holes in home swimming pools. Waterproof! Worth having in stock!

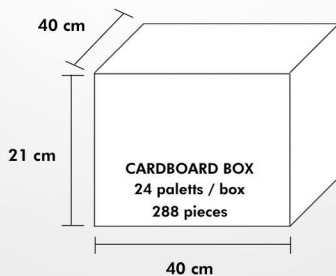
Packing method:

- 12 pieces per palette
- 24 palettes in a box (288 pieces)
- 30 boxes on Euro pallet (8640 pieces)

weight: 1 piece - 3 grams
expiration date: 12 months
tube: aluminum



39,5 cm



5,5 cm



vulcanisation adhesives and patches



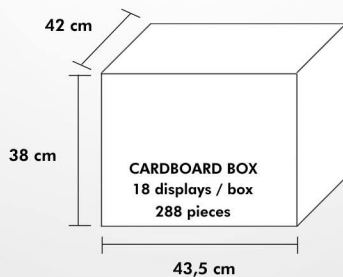
TOP GUM®

Glue with a vulcanization patch for repairing inner tubes and other rubber products (mattresses, balls, swimming pools). Effectively patches holes using cold gluing technology. Guaranteed repair in a short time. Indispensable on bicycle trips, at swimming pools while playing with rubber balls, and for patching holes in home swimming pools. Waterproof! Worth having in stock!

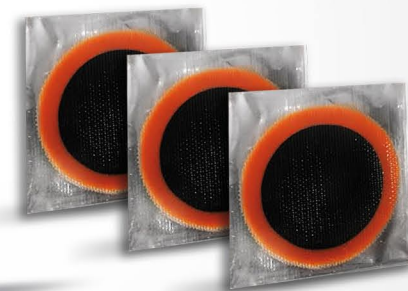
Sposób pakowania:

- 16 pieces in a display
- 18 displays in a box (288 sztuk)
- 24 boxes on Euro pallet (6912 sztuk)

weight: 1 piece - 3 grams
expiration date: 12 months
tube: aluminum



+



vulcanisation adhesives and patches



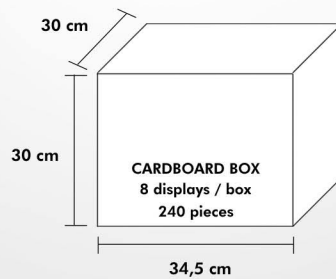
OFFICE WHITE GLUE NON TOXIC

Office glue, plant, for gluing paper. A must have on every desk. Perfect for children – non toxic. Helpful for art work, office work and wherever we need to glue paper. Thanks to its properties it is often recommended by teachers.

Packing method:

- 30 pieces in display
- 8 displays in a box (240 pieces)
- 32 boxes on Euro pallet (7680 pieces)

Weight: 1 piece - 40 grams
expiration date: 24 months
tube: aluminum



**always
at hands**

GWTNT GLUE

GWINT GLUE

ANAEROBIC GLUE

Thread Glue is a product for sealing and securing threads, screw connections of ferrous metal components. It features high vibration resistance and increased oil resistance. Secured screws can be removed easily with tools. The hardening of the product (polymerisation) takes place under anaerobic conditions.

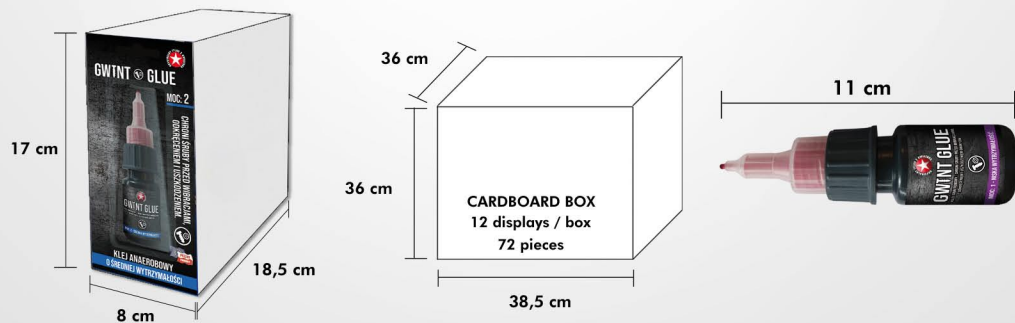
Depending on your needs, you can choose between two types of adhesive:

- Gwint Glue MOC1 – low strength anaerobic adhesive (loosening moment 5,5-11,5 Nm)
- Gwint Glue MOC2 – medium strength anaerobic adhesive (loosening moment 15-25 Nm)

Packing method:

- 6 pieces in a display
- 12 displays in a box (72 pieces)

weight: 1 piece - 8 grams
 expiration date: 24 months
 bottle: plastic



threadlocker



GLUE - INVEST SP. Z O.O.

02 - 797 Warszawa
ul. Sarmacka 15 / 59

SALES OFFICE

91 - 341 Łódź
ul. Św. Teresy 100
tel. +48 42 612 25 93

✉ glue-invest@superglue.pl

🌐 www.superglue.pl